

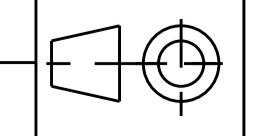
OUTER DIMENSION:-840L X 550W X 720

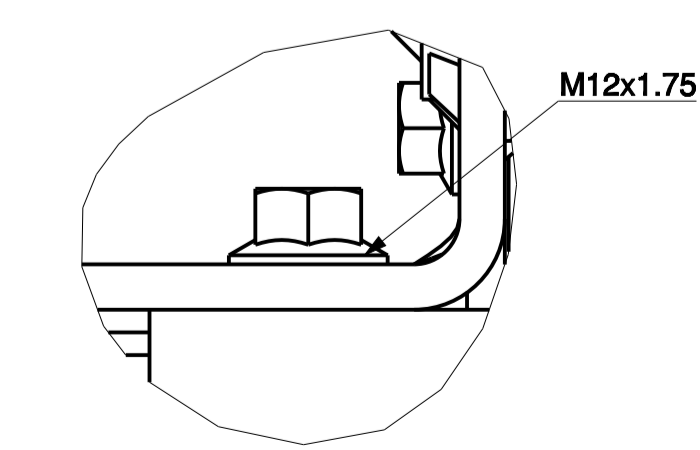
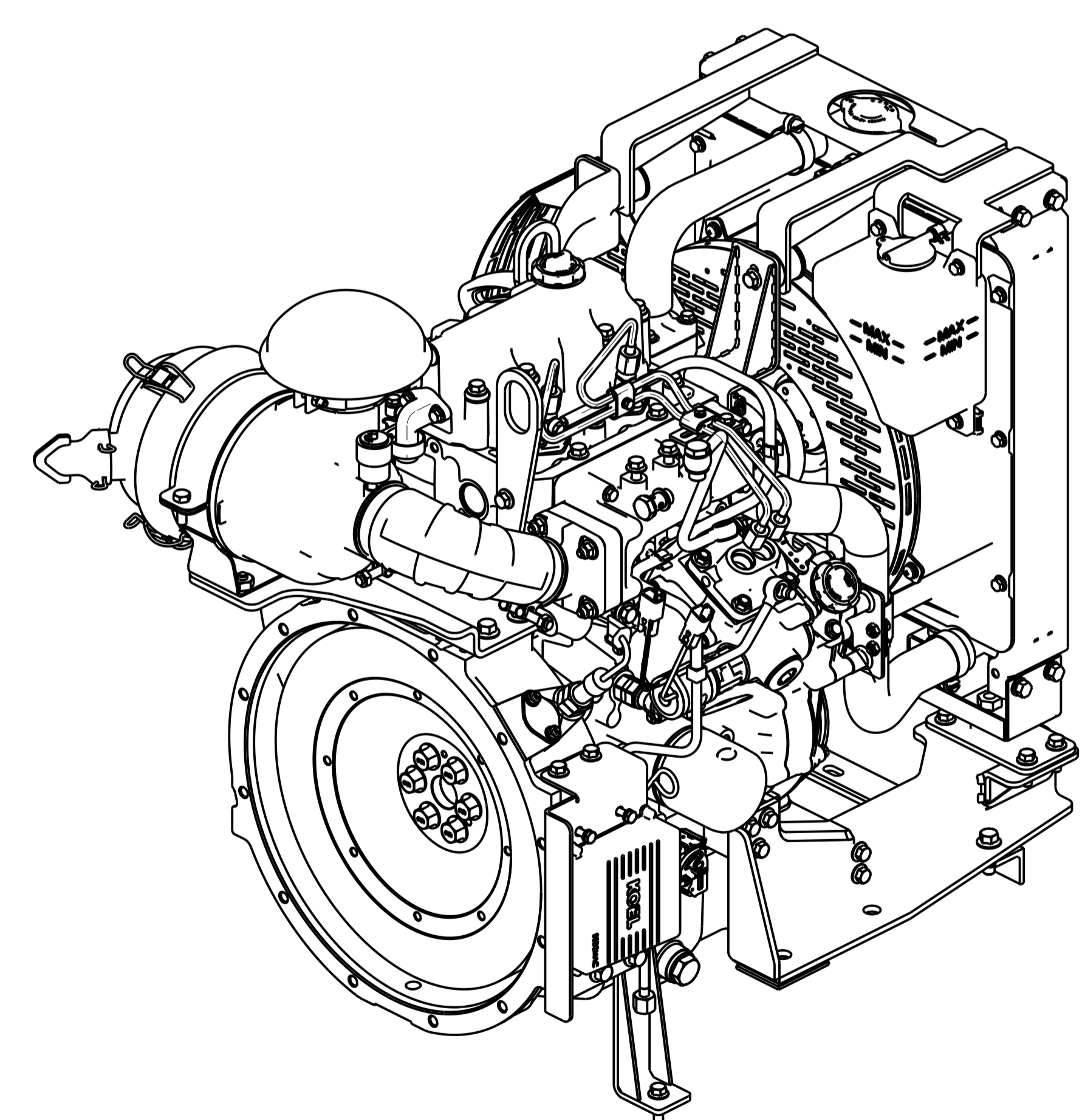
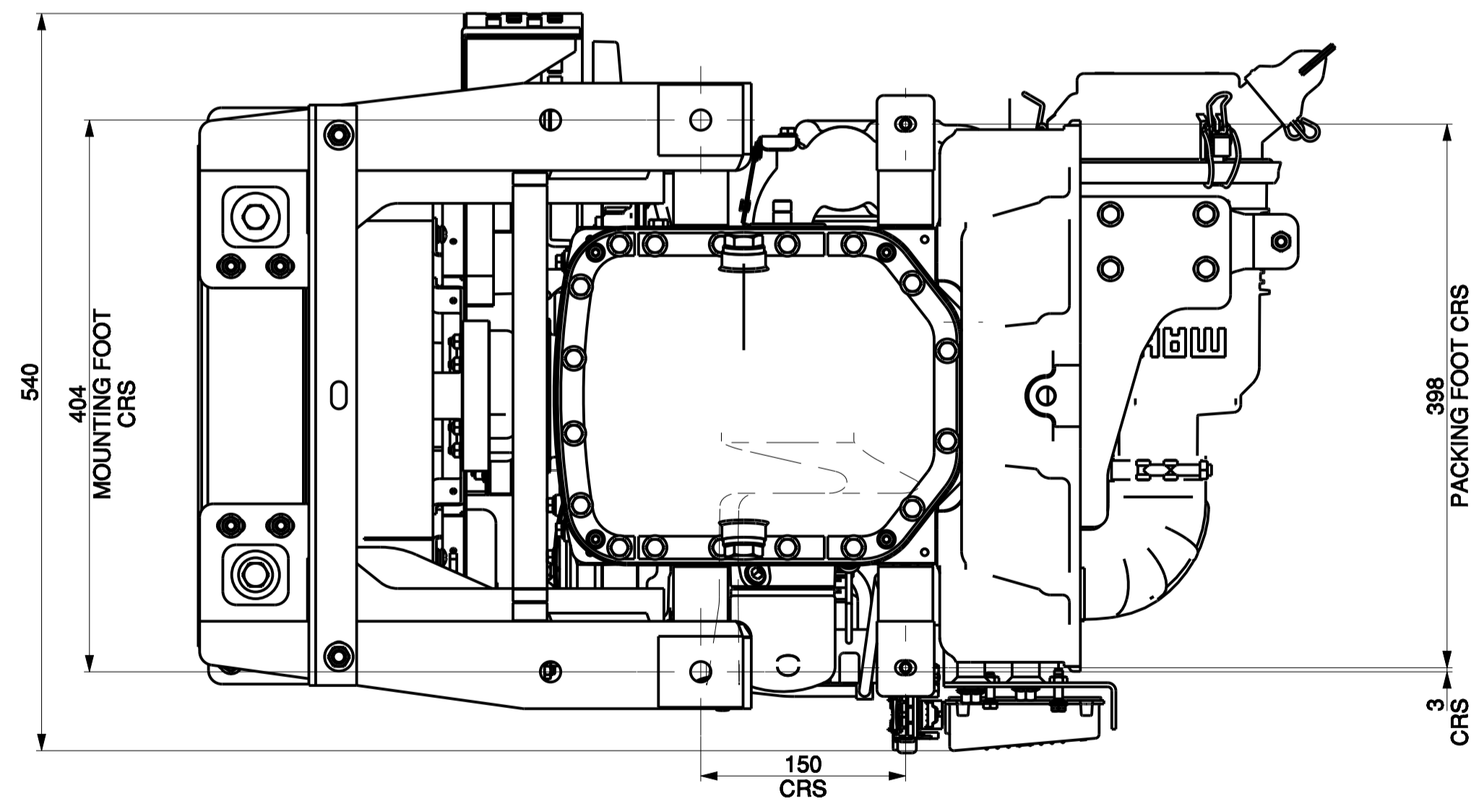
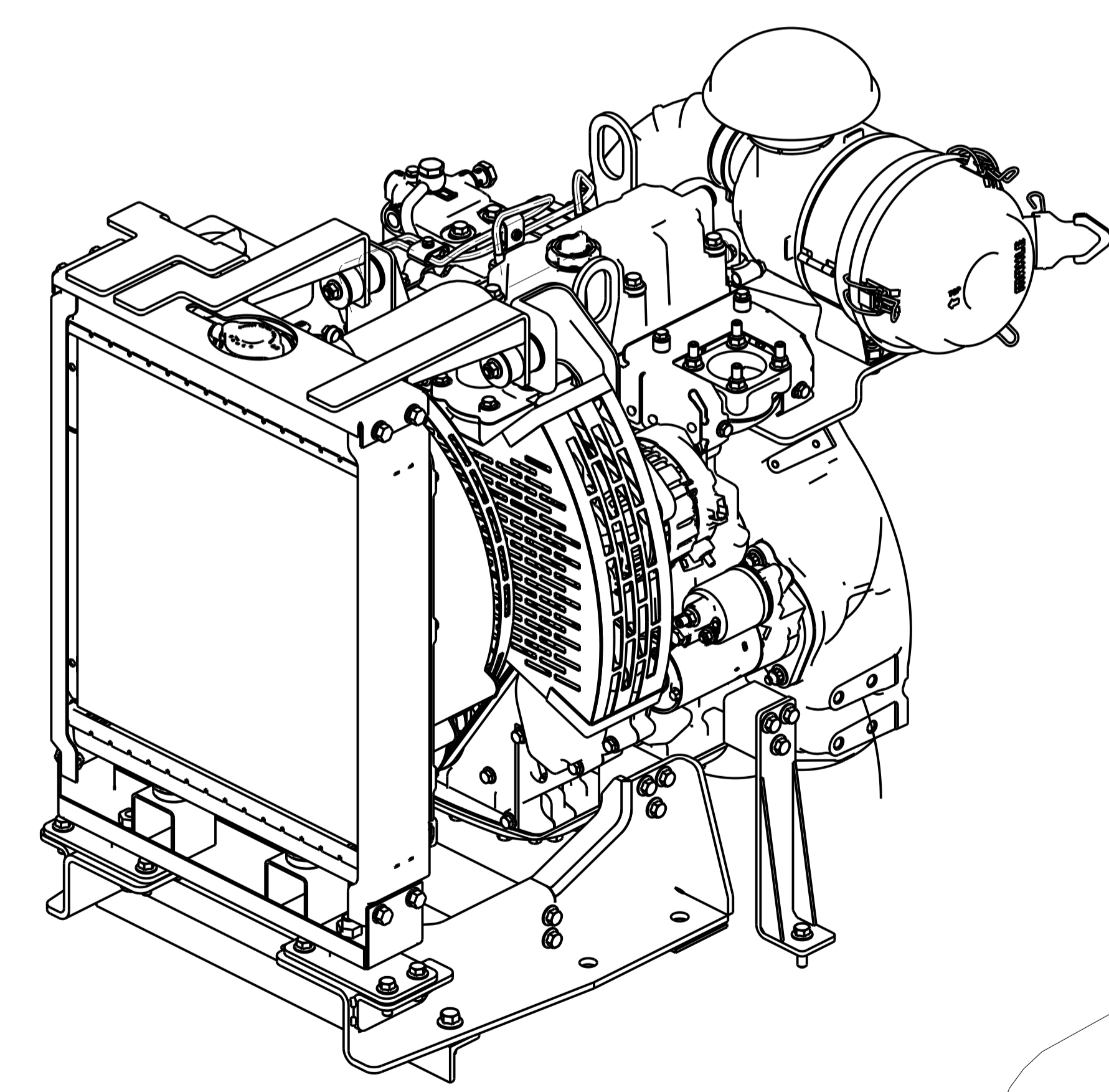
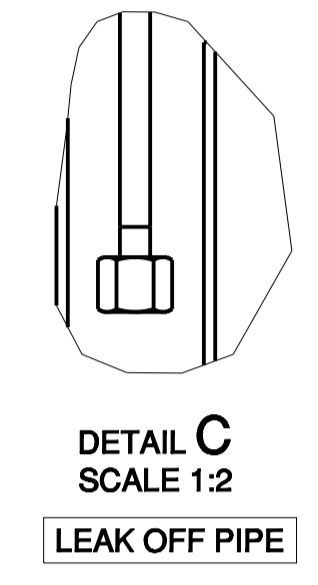
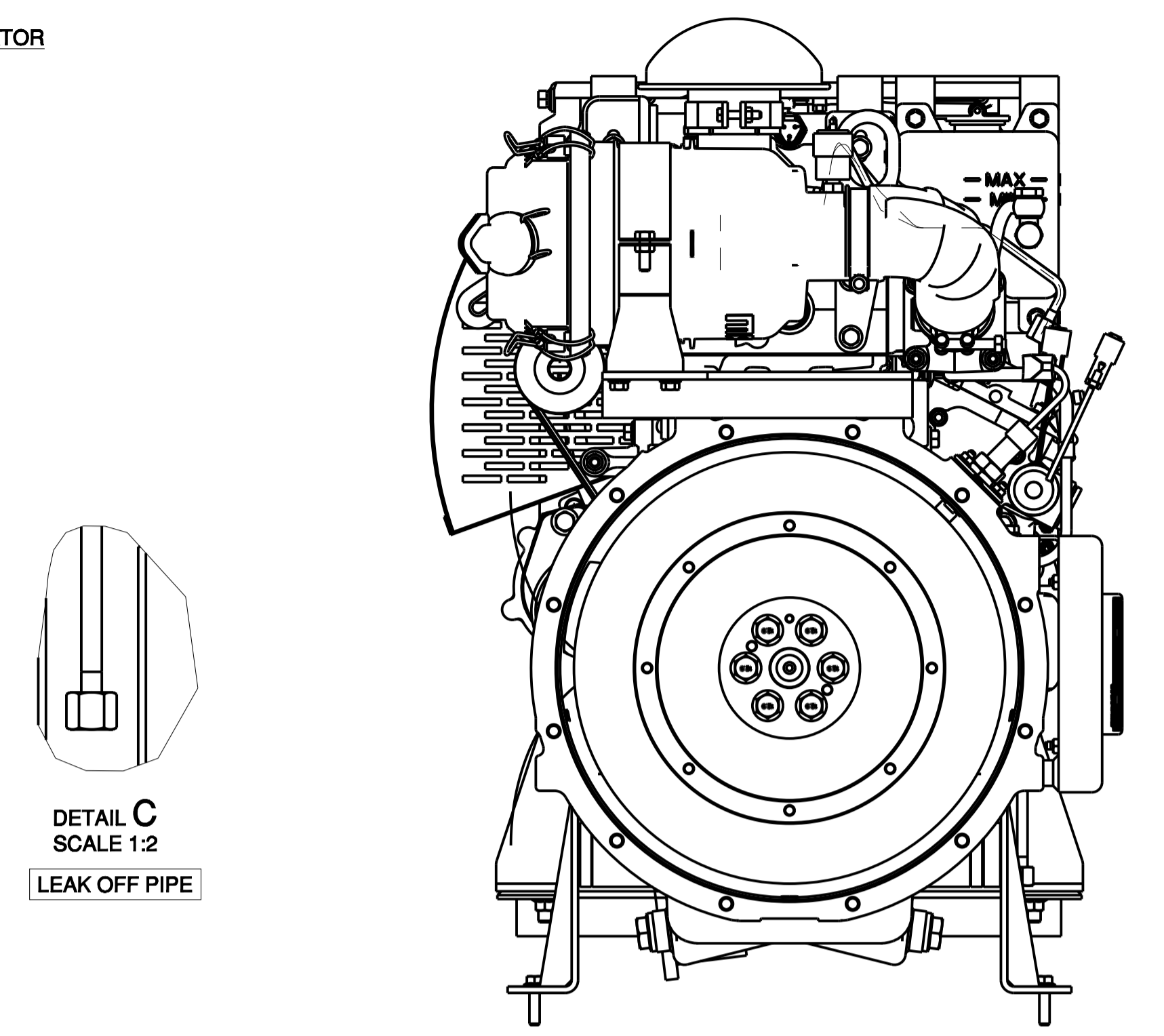
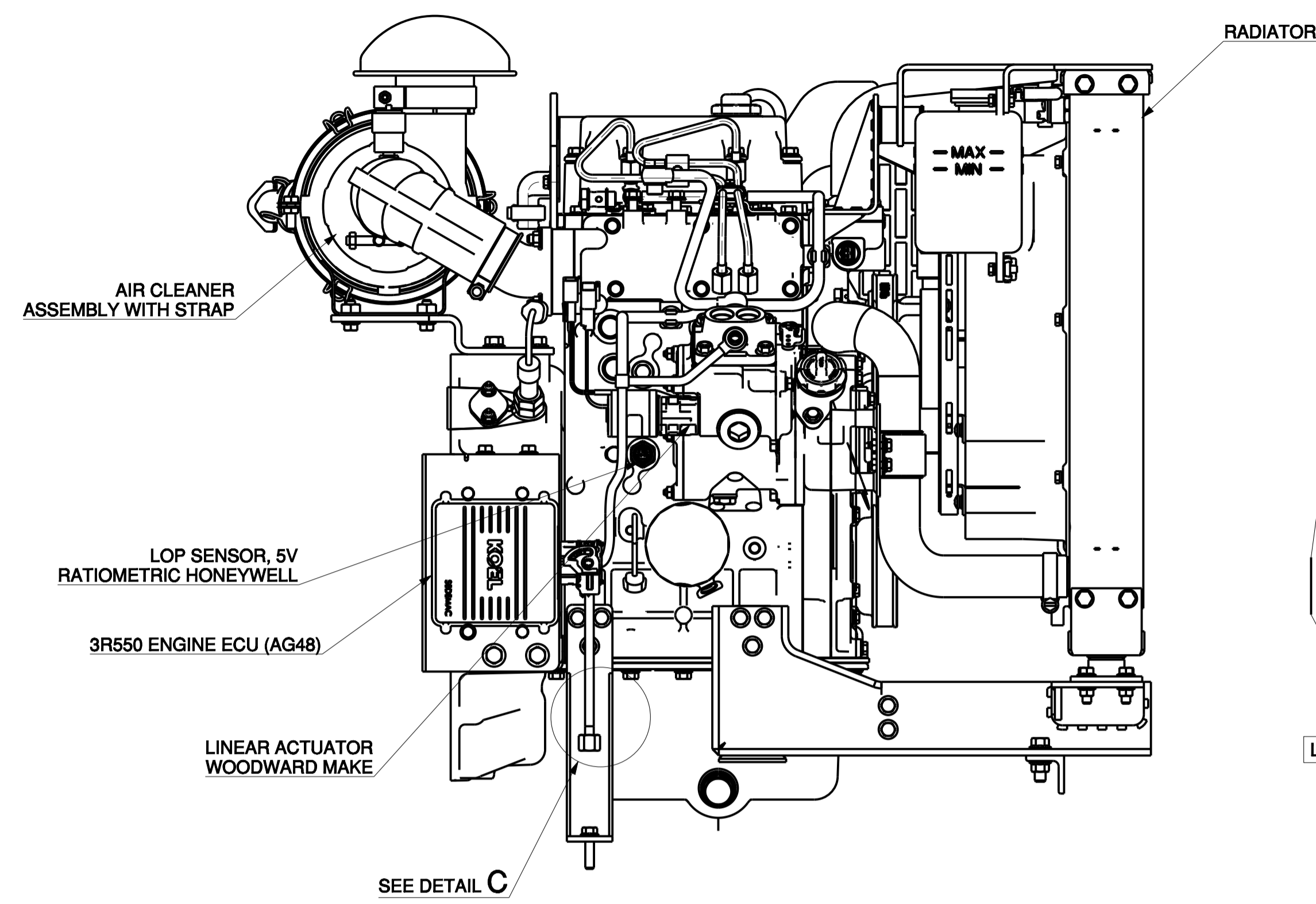
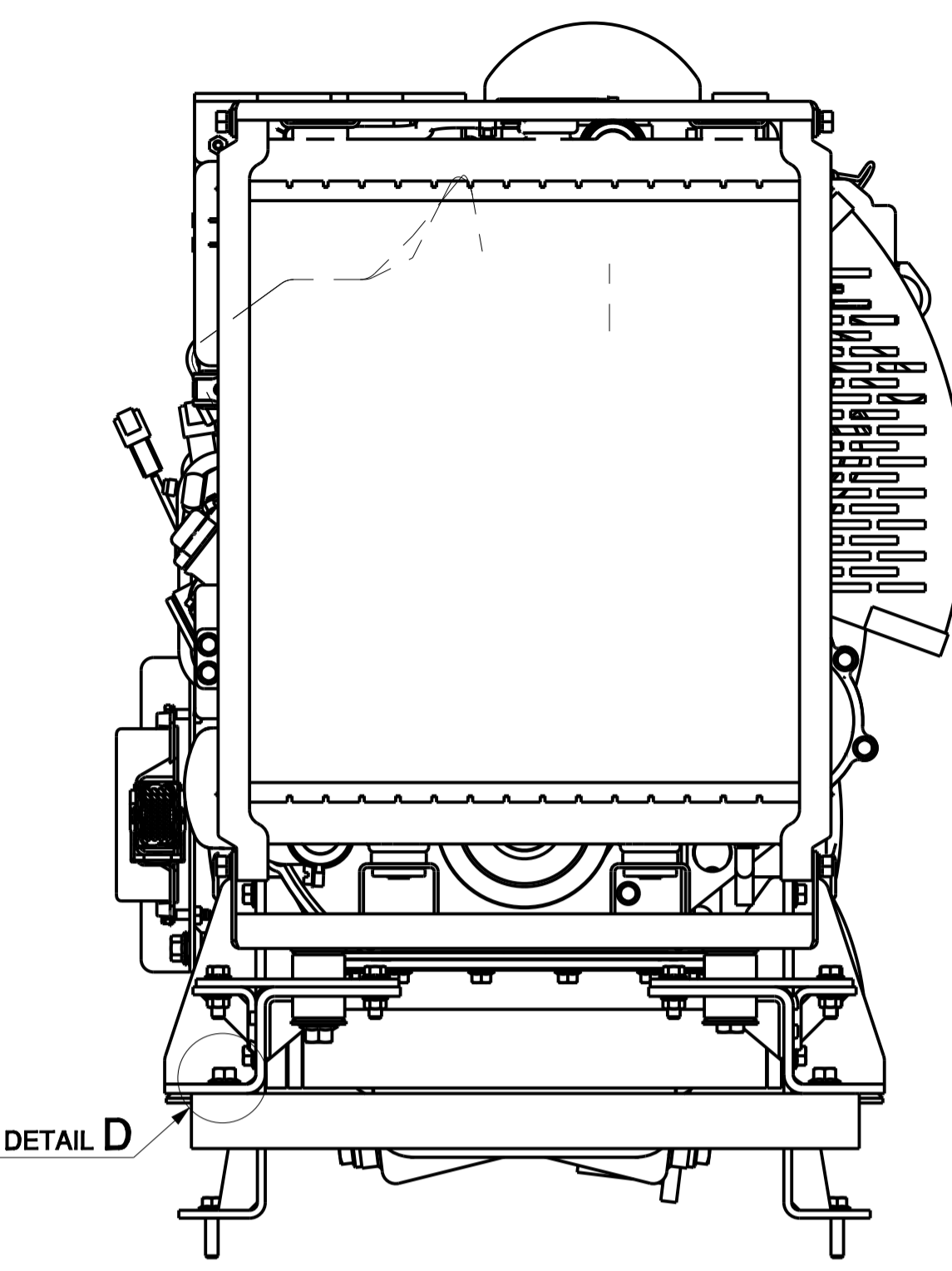
IF IN DOUBT ASK
PRINTS OF PREVIOUS REVISION NO. SHOULD BE SCRAPPED

THIS DRAWING IS PROPERTY OF KIRLOSKAR OIL ENGINES LTD. AND MUST BE RETURNED ON REQUEST. IT IS SUBMITTED AS CONFIDENTIAL INFORMATION WITH OUR ENQUIRY, TENDER, ORDER OR CONTRACT NO. IT IS NOT TO BE ISSUED FOR ANY OTHER PURPOSE OR ORDER NOR MAY BE COPIED OR LENT WITHOUT OUR AUTHORITY IN WRITING.
FORMAT No.RBE/FORM/056/01 (REFER DOP No. RBE 4.4.03)

| | | | | | | | | | | | |
|---|----------|------|-------------|-----------------------------|-----|----------|------|--------------------------|---------------|--|--|
| UNLESS OTHERWISE SPECIFIED | | | | CAD DRG. FILE:- WINDCHILL | | | | CASTING/FORGING DRG. NO. | | | |
| ● ALL DIMENSIONS ARE IN mm. | | | | MATERIAL :- | | | | HEAT TREATMENT :- | | | |
| ● SURFACE ROUGHNESS AS PER CO. STD. NO. 10501. | | | | DRN ABHISHEK | | | | TITLE | | | |
| ● UNMENTIONED TOLERANCES AS PER CO. STD. NO. 11001/M. | | | | CHD. JGJ | | | | GOEM INSTALLATION LAYOUT | | | |
| ● REMOVE ALL SHARP BURRS AND SHARP EDGES. | | | | APPD. JGJ | | | | SCALE 1:4 | | | |
| ● DRAWING NOT TO BE SCALED. | | | | DATE 17/09/2021 | | | | SHT. NO 1 OF 2 | | | |
| UNMENTIONED | | | | DATE 17/09/2021 | | | | DRAWING NO. | | | |
| RADI1 -- | | | | KIRLOSKAR OIL ENGINES LTD., | | | | REV. NO. | | | |
| CHAMFER -- | | | | PUNE 411 003 (INDIA) | | | | FOR REFERENCE | | | |
| UNDERCUT -- | | | | | | | | 00 | | | |
| No. | REVISION | ZONE | MODIFIED BY | REF. No. DATE | No. | REVISION | ZONE | MODIFIED BY | REF. No. DATE | | |
| NEW RELEASE | | | | | | | | | | | |

LIFECYCLE STATE:- Concept





IF IN DOUBT ASK

PRINTS OF PREVIOUS REVISION NO. SHOULD BE SCRAPPED

THIS DRAWING IS PROPERTY OF KIRLOSKAR OIL ENGINES LTD. AND MUST BE RETURNED ON REQUEST. IT IS SUBMITTED AS CONFIDENTIAL INFORMATION WITH OUR ENQUIRY. TENDER, ORDER OR CONTRACT NO. IT IS NOT TO BE ISSUED FOR ANY OTHER PURPOSE OR ORDER NOR MAY BE COPIED OR LENT WITHOUT OUR AUTHORITY IN WRITING.

FORMAT No. RBE/FORM/056/01 (REFER DOP No. RBE 4.4.03)

| | | | | | | | | | |
|---|----------|------|-------------|---------------------------|-----|--|------|---------------------------|---------------|
| UNLESS OTHERWISE SPECIFIED | | | | CAD DRG. FILE:- WINDCHILL | | | | LIFECYCLE STATE:- Concept | |
| ● ALL DIMENSIONS ARE IN mm. | | | | MATERIAL :- | | HEAT TREATMENT :- | | CASTING/FORGING DRG. NO. | |
| ● SURFACE ROUGHNESS AS PER CO. STD. NO. 10501. | | | | DRN ABHISHEK | | TITLE | | TYPE 2R550 | |
| ● UNMENTIONED TOLERANCES AS PER CO. STD. NO. 11001MM. | | | | CHD. JGJ | | GOEM INSTALLATION LAYOUT | | SCALE 1:4 | |
| ● REMOVE ALL SHARP BURRS AND SHARP EDGES. | | | | APPD. JGJ | | DATE 17/09/2021 | | SHT. NO 2 OF 2 | |
| ● DRAWING NOT TO BE SCALED. | | | | UNMENTIONED | | DATE 17/09/2021 | | DRAWING NO. | |
| NEW RELEASE | | | | RADI | | KIRLOSKAR OIL ENGINES LTD., PUNE 411 003 (INDIA) | | REV. NO. 00 | |
| CHAMFER | | | | UNDERCUT | | FOR REFERENCE | | | |
| No. | REVISION | ZONE | MODIFIED BY | REF. No. DATE | No. | REVISION | ZONE | MODIFIED BY | REF. No. DATE |