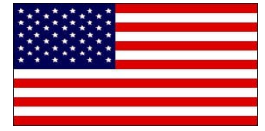




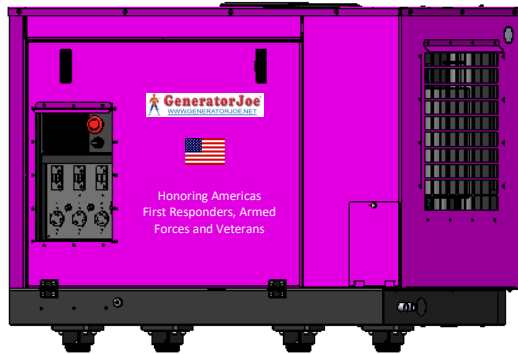
GeneratorJoe®



Made in the USA!

Ranger Series

Model: RA9 & RA9-3



Sound Enclosed, Ranger Plus Shown

MODEL FEATURES


- ◇ US EPA Tier 4 final emissions certified
- ◇ CARB certified emissions pending
- ◇ Available in single or 3-phase models
- ◇ Available in 60 Hz or 50 Hz
- ◇ 1800/1500 RPM operation for long life
- ◇ Liquid cooled two cylinder diesel
- ◇ Powder coated aluminum sound enclosure
- ◇ Weather resistant & sound attenuated enclosure. Sound rating 62 dB @ 21' / 7 m
- ◇ Heavy duty steel base, steel/rubber feet
- ◇ Fork lift space & fold down lifting eye
- ◇ Brushless power end with automatic digital voltage regulator
- ◇ High ambient aluminum radiator with pusher fan and guards
- ◇ Rugged heavy duty design & engine

Ratings Diesel

Standby Single or Three Phase Available

		60Hz	50Hz
Standby:	kW	9.0	7.5
	kVA	11.3	9.3
Prime:	KW	8.1	6.7
	KVA	10.1	8.4

				Standby Rating	Prime Rating
Generator Voltage		Ph	Hz	kW / kVA	kW / kVA
Mecc Alte	120/208	3	60	9.0 / 11.2	8.1 / 10.1
	120/240	3	60	9.0 / 11.0	8.1 / 10.1
	277/480	3	60	9.0 / 11.0	8.1 / 10.1
	120/240	1	60	9.0 / 11.0	8.1 / 10.1

- ◇ Mechanical main fuel pump & electric transfer pump
- ◇ Electronic governor
- ◇ Advanced digital electronic controller, with display
- ◇ Stop, Auto & Start modes on front panel
- ◇ Four point mounting system with vibration isolators
- ◇ Air Intake from bottom & end, quiet air push exhaust
- ◇ Single point concealed lifting eye, with access cover
- ◇ External fuel, electrical & charger connections
- ◇ Extensive quality control & inspection in production
- ◇ Factory load tested prior to shipment
- ◇ UL Listed components & generator
- ◇ Cabinet color honors first responders, United States Armed Forces & Veterans and their families! 

This model is designed for trucks, service vehicles, cranes, lifts and towers, emergency or military platforms, trailers, mobile medical facilities, offices, buildings and equipment where weight is a major factor. Available in diesel, NG, or propane. Open or enclosed. Numerous options are available.

RATINGS: All single-phase units are rated at 1.0 power factor. All three-phase units are rated at 0.8 power factor.

STANDBY RATINGS: Standby ratings apply to installations served by a reliable utility source. The standby rating is applicable to varying loads for the duration of a power outage. There is no overload capability for this rating. Ratings are in accordance with ISO-3046/1, BS 5514, AS 2789, and DIN 6271.

PRIME POWER RATINGS: Prime power ratings apply to installations where utility power is unavailable or unreliable. At varying loads the number of generator set operating hours is unlimited. A 10% overload capacity is available for one hour in twelve. Ratings are in accordance with ISO-8528/1, overload power in accordance with ISO-3046/1, BS5514, AS2789, and DIN 6271. For limited running time and base load ratings consult the factory. The generator set manufacturer reserves the right to change the design or specifications without notice and without any obligation or liability whatsoever. **GENERAL GUIDELINES FOR DERATION:** Altitude: Derate 0.5% per 100m (328 ft.) elevation above 1000m.

Engine and Alternator Application Data

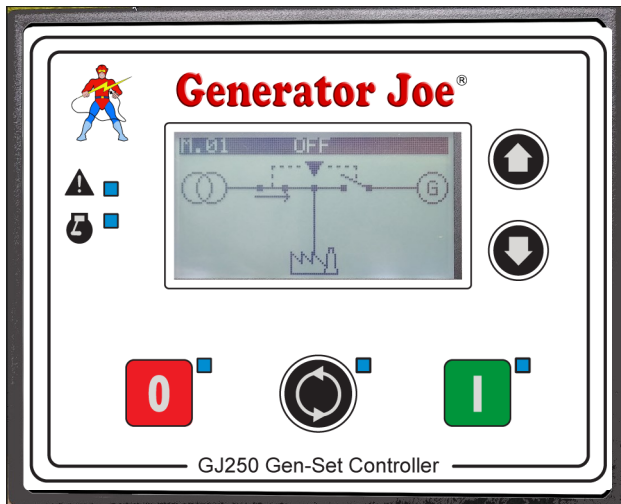
• Engine Brand	GeneratorJoe (Kirloskar)	• Fuel Consumption	Load	Gal/Hr	Run-Time
• Engine Model	2R550		100%	1.09	13.8 hrs.
• Engine Type	Vertical cylinder		75%	.84	17.9 hrs.
• Cooling	Liquid-cooled, 3.7 Liters		50%	.61	24.4 hrs.
• Fuel	Diesel (USLD)		25%	.31	48.8 hrs.
• Fuel Injection	Mechanical	• Alternator Brand	Mecc Alte		
• Emissions	Tier IV Final, CARB Pend	• Alternator Model	C NPE-C4		
• Cylinders	Two (2)		1 Phase 120/240VAC	28.0 Amp Prime	
• Bore & Stroke	86 x 94 mm (3.4 x 3.7 in)		3 Phase 120/208VAC	24.3 Amp Prime	
• Displacement	1.092 L 66.3 cc		3 Phase 120/240VAC	24.3 Amp Prime	
• Combustion	Direct injection		3 Phase 277/480VAC	12.2 Amp Prime	
• Aspiration	Naturally aspirated	• Insulation	Class H		
• Lubricant	SAE15W40, CI4,	• Efficiency	High, Standard		
• Lube 1st Fill/Refill	3.8 / 3.3 liters	• Motor Starting	>300%		
• Lube Pump	Positive displace G rotor	• THD	<3.5% full load L-L		
• Oil pressure	5.5 Bar	• Suppression	VDE 0875 G/N/K, EN61000-6-2/3		
• Oil temp Max	125 deg C	• Poles	4 or 12, voltage dependent		
• Starting Motor	12 VDC, 1.2 kW	• Bearings	Single		
• Charging Alt	12 VDC, 30A	• Protection Class	IP23		
• Oil Change	500 hours, Filter 32 micron	• NDE Bearing Type	6305-2RS1 C3		
• Crankcase Vent	Closed	• Executions	Brushless		
• Rated speed	1800/1500 (60/50 hz)	• Regulator Type	DSR		
• Gross HP	15.7 hp (11.5 kw)	• Winging Pitch	2/3		
• Max high idle	1805	• Max Overspeed	2250		
• BMEP	7.2 Bar	• Altitude	< 1000		
• Governor	Isochronous, Steady Speed	• Balancing	ISO1940-1		
• Max exhaust BP	3.3 +/- 1.0 KPa G	• Air Flow	12,0 m ³ /min		
• Exhaust Temp	650 deg C	• Noise level	64 db(A) 23 ft / 7 M		
• Exhaust air flow	65 Kg/hr	• Alternator Weight	77 kg, 169 lbs +/-		
• Inlet air flow	61 Kg/hr	• Inlet air flow	61 Kg/hr		
• Engine dims	468 x 518 x 633 mm 18.4 x 20.4 x 24.9 in.				
• Engine weight	130 kg, 287 lbs, wet				
• Fuel Pump Pull	3 ft vert, 12 ft horiz. (est)				
• Fuel Tank (option)	U.S. Gallons, 15				



QUALITY ASSURANCE

Generators are manufactured using production procedures having a quality assurance level to BS EN ISO 9001. All generators manufactured or built by GeneratorJoe are factory load bank tested prior to shipment. All units are inspected before and after testing to insure the highest level of quality. Written load bank test results are maintained on every unit produced.

Control Panel



GJ250 Gen-Set Controller

Oil Pressure, Engine Temperature, Engine Hours, RPM, Battery Voltage, A/C Voltage and A/C Amperage, event log, alerts and alarms, service intervals, real time clock, alarm sounder, fuel level, and much more.

STATE OF THE ART CONTROL

GeneratorJoe GJ250 is a UL listed controller provides the ultimate in control and protection. The controller provides manual and remote starting capability, as well as available auto start on low battery. Automatic shutdowns and warnings help prevent damage in the event a problem is encountered. In the unlikely event a shutdown occurs, The GJ250's J1939 compatibility, will display Diagnostic Trouble Codes, A 106 Event Log makes troubleshooting easy. The GJ250, additionally, provides metering and instrumentation for the engine and generator. Capable of displaying concise information the GJ250 gives you the information you want with the press of a button. This advanced control module is UL Recognized and NFPA 110 compatible and ensures the generator engine is fully monitored for improved operating performance. For more information see pages 6 though 8 of this brochure.

AC Alternator Specifications

STANDARDS

Generators meet the requirements of BS EN 60034 and the relevant section of other international standards such as B55000, VDE 0530, NEMA MG1-32, 1EC34, CSA C22.2-100, A51359. Other standards and certifications can be considered on request.

VOLTAGE REGULATOR AS480 AVR

This sophisticated AVR is incorporated into the Permanent Magnet Generator (PMG) control system. The PMG provides power via the AVR to the main exciter, giving a source of constant excitation power independent of generator output. The main exciter output is then fed to the main rotor, through a full wave bridge, protected by a surge suppressor. The AVR has in-built protection against sustained over-excitation, caused by internal or external faults. This de-excites the machine after a minimum of 5 seconds. Over voltage protection is built-in and short circuit current level adjustments are available.

WINDINGS & ELECTRICAL PERFORMANCE

All windings are 2/3rds pitch to eliminate triplen harmonics within the voltage waveform and to avoid excessive neutral currents in certain parallel operating conditions. A fully interconnected aluminum or copper damper cage is supplied on the rotor of all models (excluding the ECP3 series).

WINDING PROTECTION

There are various degrees of protection for the windings following the standard impregnation process ECP3, ECP28 and ECP32 are standard on all Mecc Alte alternators. Other coatings are available by special order for arduous applications. In addition to protection on the windings themselves, the alternators can have increased ingress protection. Standard levels are IP23 with further upgrades available to include inlet filters, IP43 and IP45

CONSTRUCTION

The robust mechanical structure withstands up to 5G in any direction and 9G vertically and its design permits easy access to the connections and components during routine maintenance check-ups. The mechanical design has used the most advanced FEM techniques. The materials used are: FEP12 steel for the frame, C45 steel for the shaft and cast iron or aluminum pressure die cast for the end-brackets: fans are aluminum die casted either nylon fiber glass loaded, UL compliant materials. Rotors are dynamically balanced according grade 2.5 of ISO 1940-1.

SHAFT

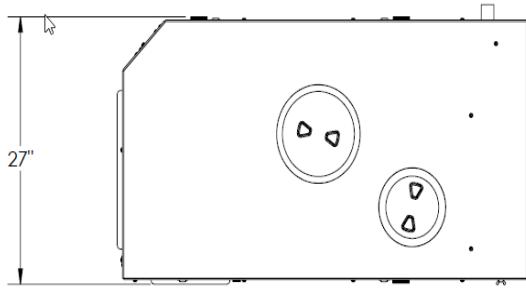
The generator rotor is dynamically balanced to better than B56861:Part 1 Grade 2.5 for minimum vibration in operation.

INSULATION/IMPREGNATION

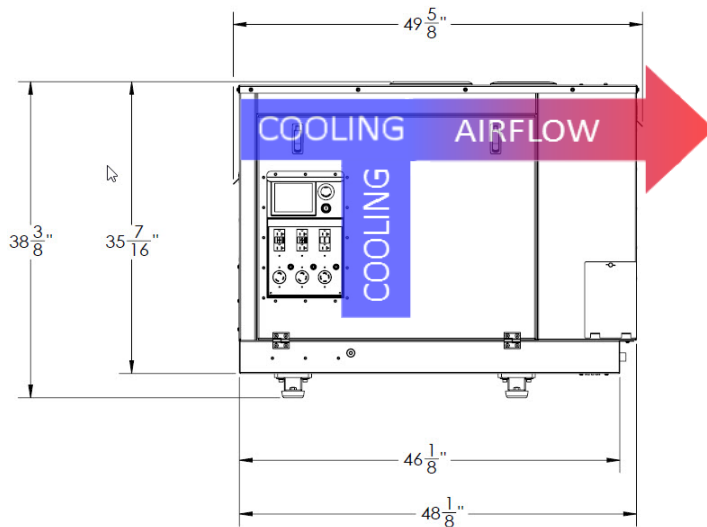
The insulation system is class H. All wound components are impregnated with materials and processes designed specifically to provide the high build required for static windings and the high mechanical strength required for rotating components.

Gross Weights and Dimensions

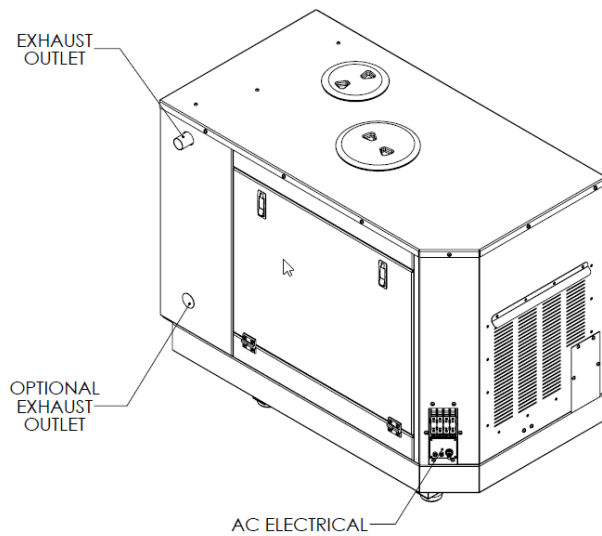
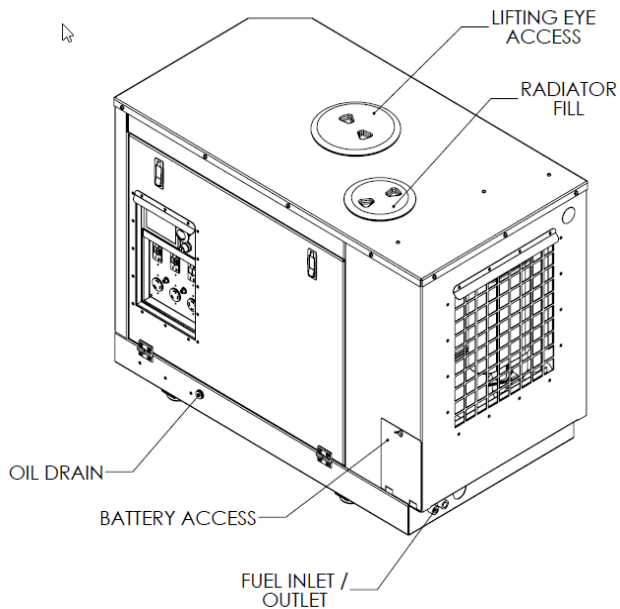
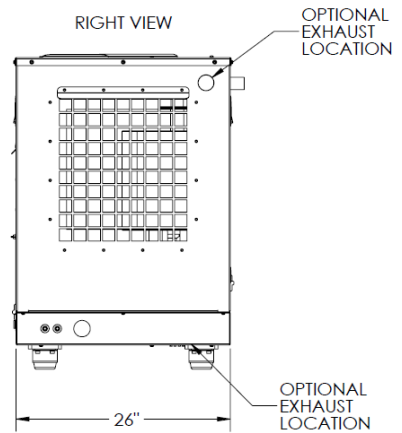
TOP VIEW



FRONT VIEW



RIGHT VIEW



GeneratorJoe®



Standard Features and Optional Accessories

Additional Standard Features

- ◇ Cabinet removal with six hex screws & lift bar
- ◇ Five service ports & removable enclosure
- ◇ Air intake filter screens, bottom & ends
- ◇ Convenient single side service & rear access
- ◇ Heavy duty dry type air cleaner
- ◇ Spin on 4-micron fuel & standard oil filter
- ◇ Main line commercial circuit breaker, appropriate rating
- ◇ Battery breaker & disconnect
- ◇ Fuel & water separator standard
- ◇ Starting battery, Interstate MC 65 CCA
- ◇ Critical exhaust silencer
- ◇ Oil & coolant fill (excluding fuel),
- ◇ 12 VDC starting motor
- ◇ 30A, 12 VDC charging alternator
- ◇ Safety shutdowns for high water temp, low oil pressure, & low coolant, emergency stop button and key lock
- ◇ Service reminders for air and fuel filters
- ◇ Oil drain valve with outside extension & valve
- ◇ Radiator filler cap & drain plug
- ◇ Modern electronic & electrical system
- ◇ No Russian or Chinese components

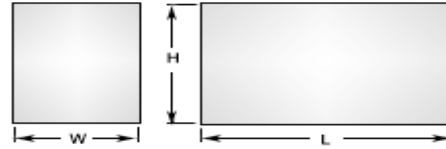
Optional Accessories

- ◆ Caster Set, 4-360° swivel w/wheel lock
- ◆ Hand truck carriage with large wheels (soon)
- ◆ Towable road trailer, (soon)
- ◆ Hold down clip set (4) (soon)
- ◆ DIN rail accessory for electronics mounting
- ◆ Transfer switch, real time clock & relay options
- ◆ Standby connection terminals & external ground posts
- ◆ Remote panel with start, stop and hour meter
- ◆ Remote panel with start, emergency stop mushroom button and wiring harnesses
- ◆ Electric fuel pump, with long distance pull
- ◆ Automatic battery charger, with external power plug
- ◆ Filter replacement kit, air, oil, & fuel filters
- ◆ Rapid deployment & distribution
- ◆ Standard & custom external fuel tanks
- ◆ Customizable to your specifications
- ◆ Diesel, natural gas & propane fueled units
- ◆ Special orders available in any model

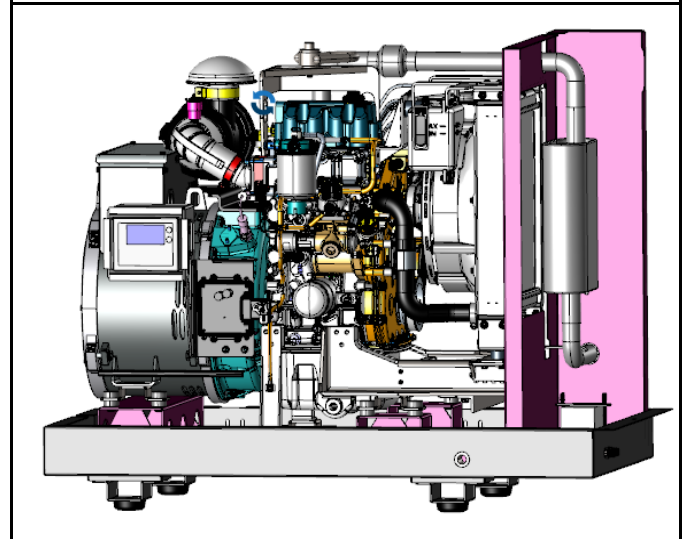
Gross Weights and Dimensions

SIZE: Open: 48.3 in. L. x 26.2 in. W. x 37.9 in. H.
Enclosed: 48.3 in. L. x 26.2 in. W. x 37.9 in. H.
(Dimensions include standard feet, no tank)

WEIGHT: Open: 466 lbs., Enclosed: 532 lbs.



Note: Dimensions and weights reflect normal specifications with no options. This drawing is provided for reference only and should not be used for planning or installation. Contact your local distributor for more detailed information.



Open Model, Typical

GeneratorJoe®

4723 Muirfield Court
Santa Rosa, CA 95405

Phone: 707 542-2224

Fax: 707 542-2227

Email: sales@generatorjoe.net

Web: www.generatorjoe.net

A small business owned by a service connected disabled veteran.

Cage 1U5V7 - TIN/EIN #943026355 - Duns #054590203



Made in the USA!



CONTRACTOR

Model: RA9 & RA9-3